

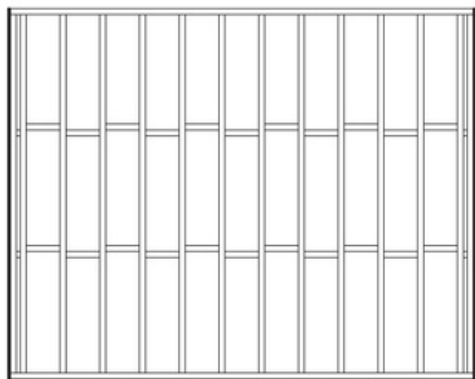


CHELMERDECK

COMPOSITE

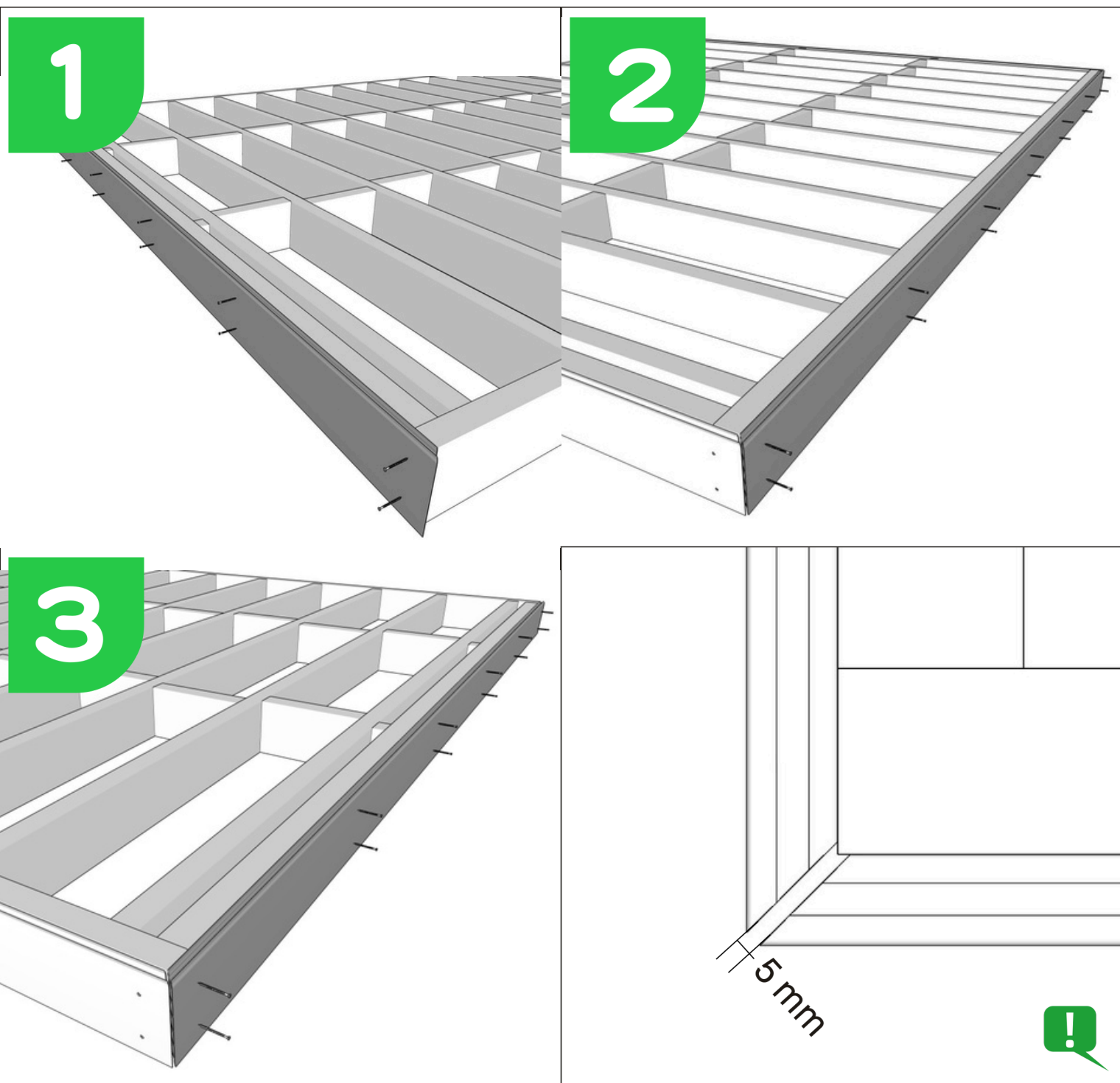
DECKING

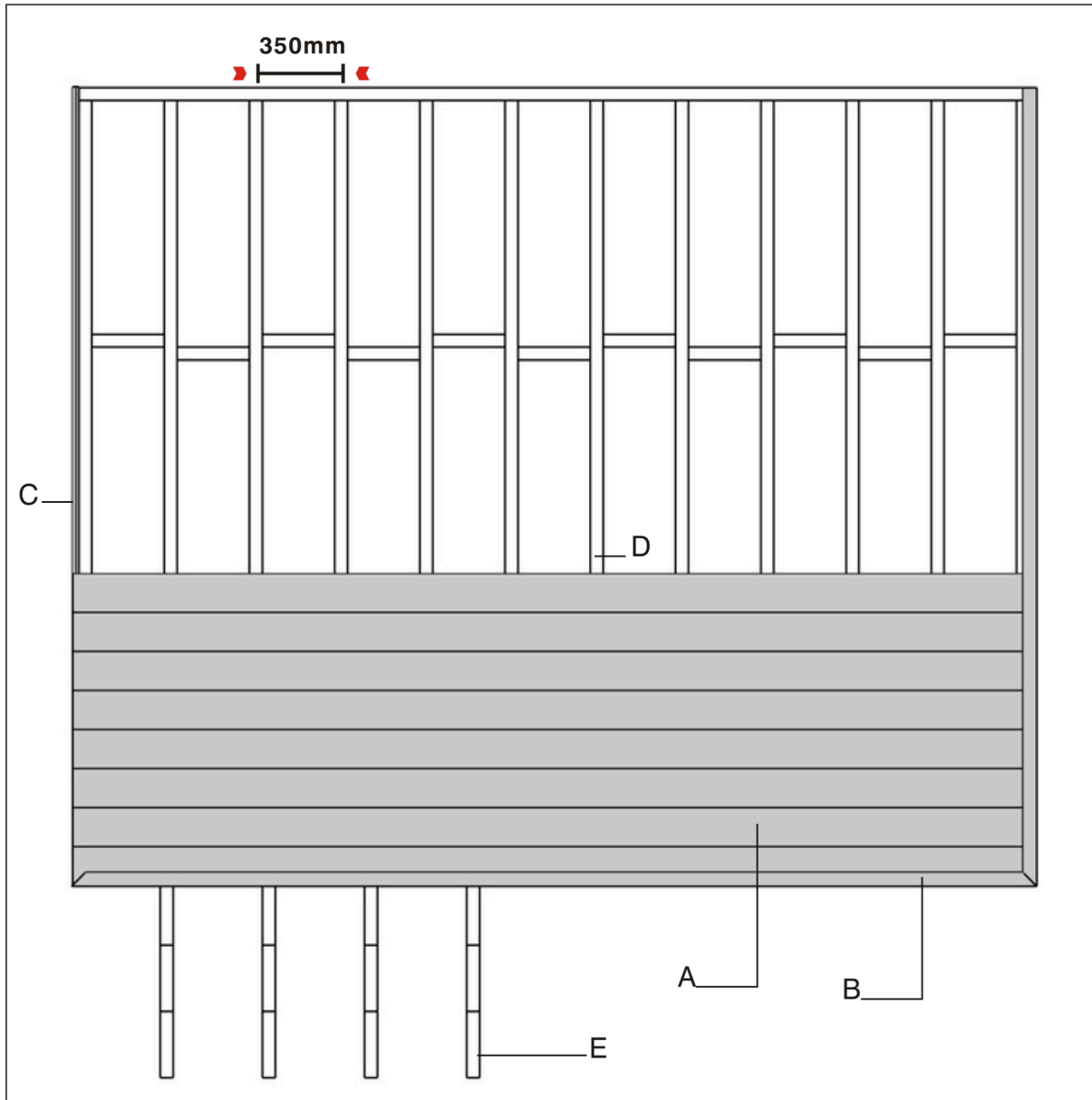
DECKING INSTALLATION GUIDANCE



Fascia Boards Installation

- 1) Fixing the fascia boards with screws and the screw spacing should be no more than 500mm.
- 2) Make sure there is a 5mm spacing to each end of the board.
- 3) Always pre-drilling for all fastener placements when installing composite decking which is essential to prevent splitting and maintain the structural integrity of the boards, especially near edges or ends. Proper pre-drilling helps ensure a secure and professional finish.

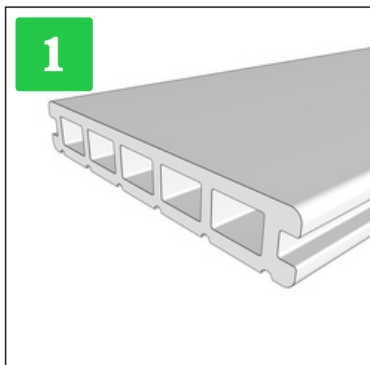




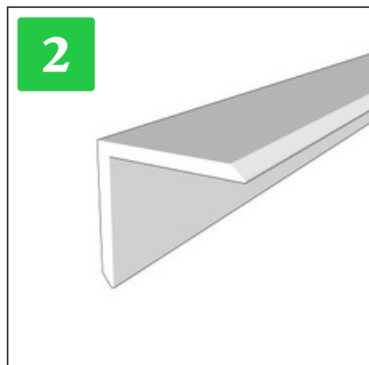
Deck Components Overview

A. Composite Decking Board
B. Angle Trim
C. Fascia Board

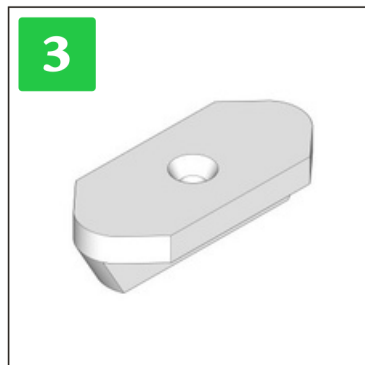
D. Joist (Max. span 350mm)
E. Stair String



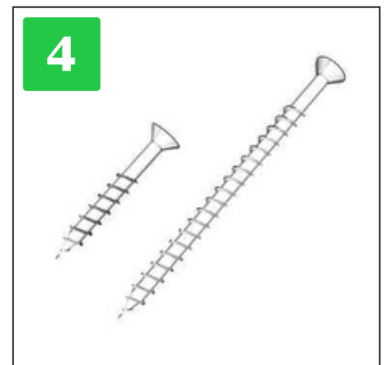
► Composite Decking Board



► Angle Trim



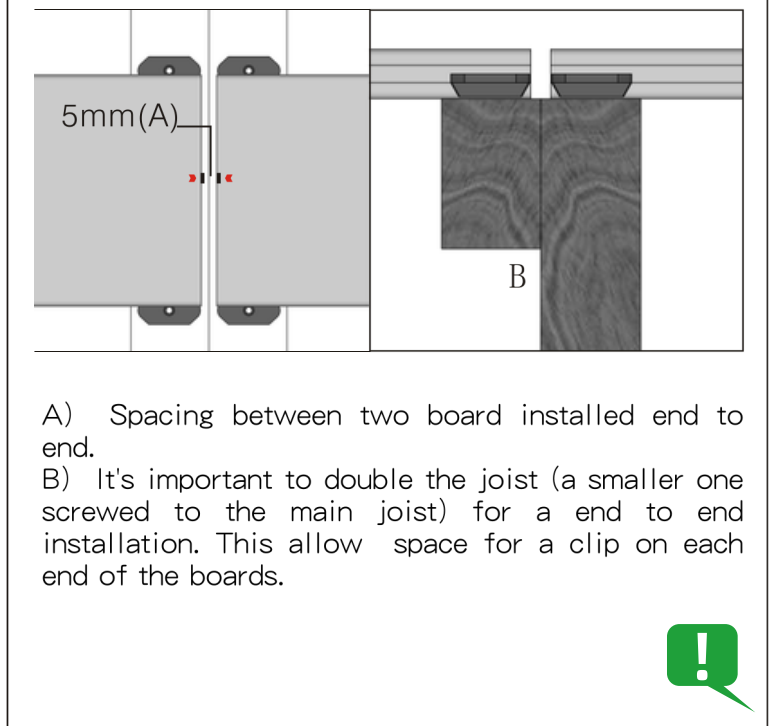
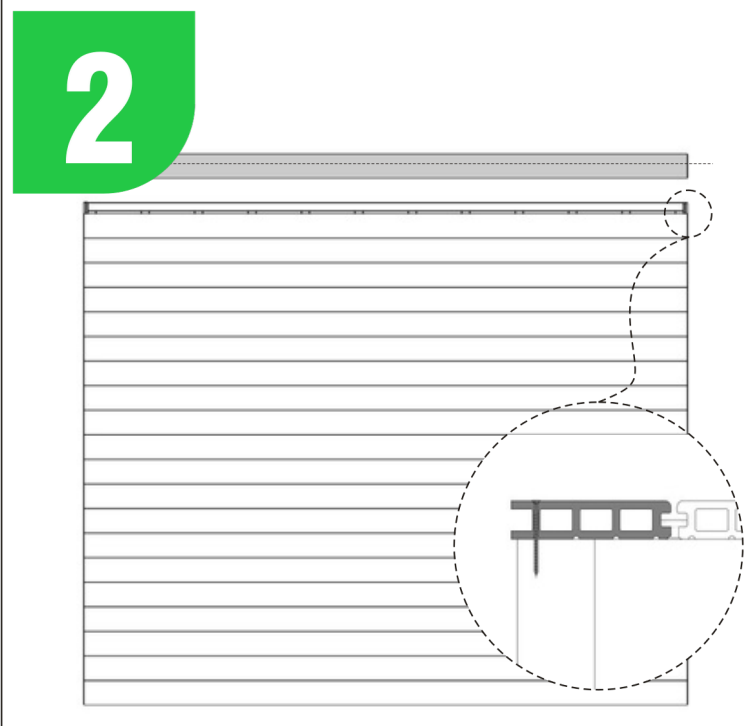
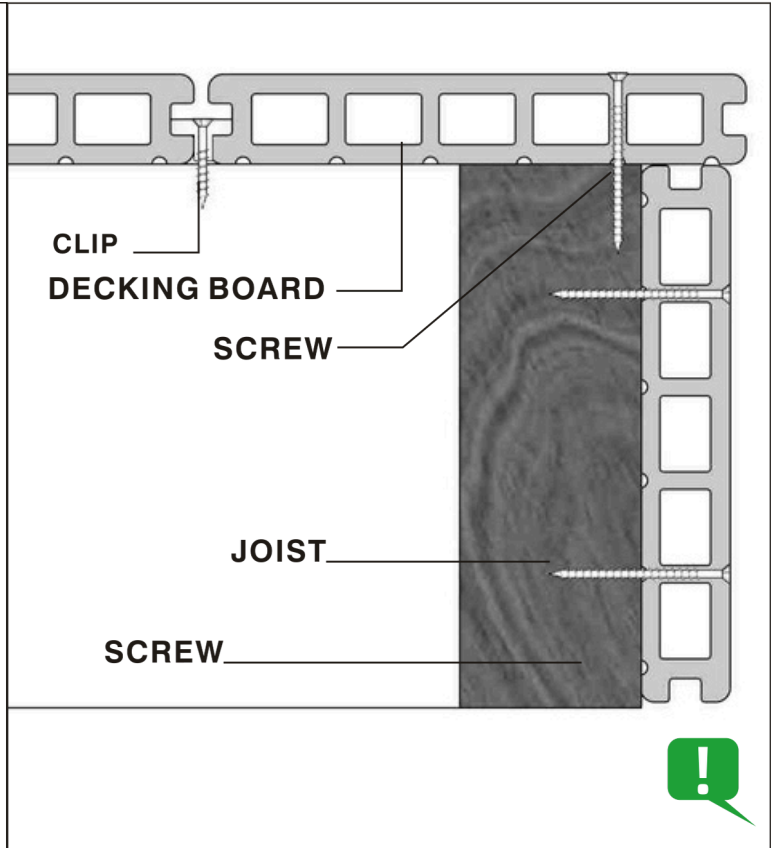
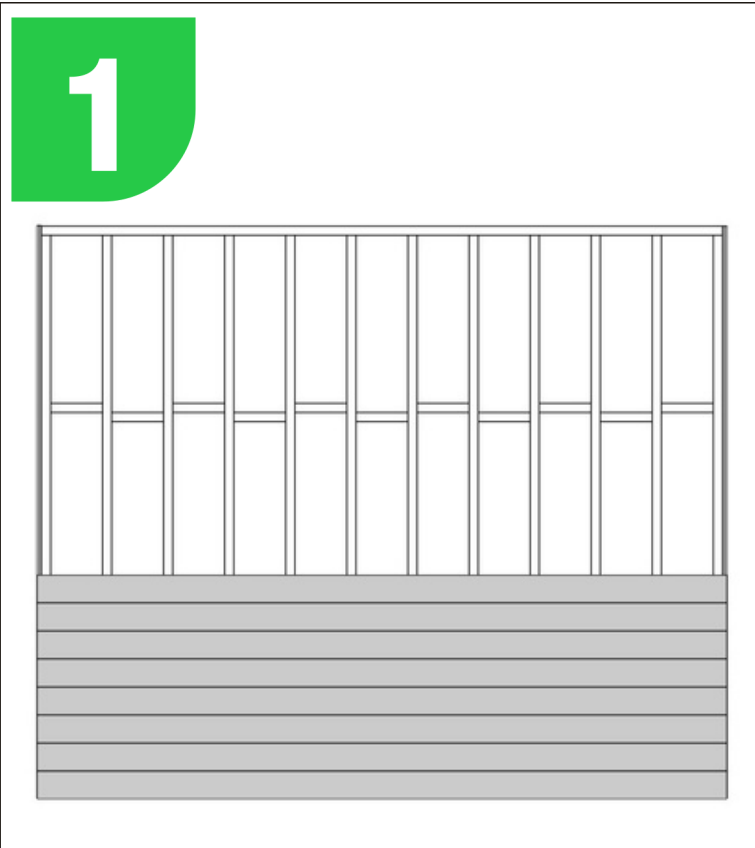
► Plastic Clip



► Screws

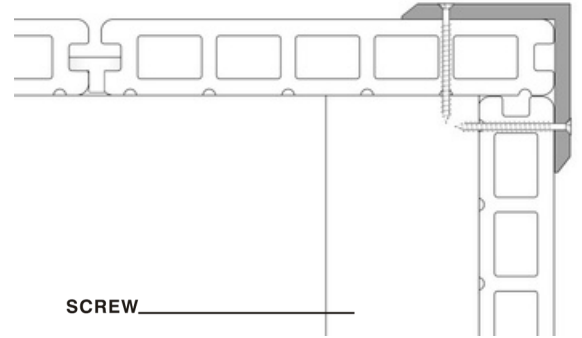
METHOD 2 : DECKING INSTALLATION GUIDANCE

- 1) Install the first decking board with screws or starter clips.
- 2) Install decking boards in sequence.
- 3) The last board may not fit depending on the space left. In this case, simply adjust the width of the board with a table saw, fixed it with screws (see picture 2) .



METHOD 2 : DECKING INSTALLATION GUIDANCE

3

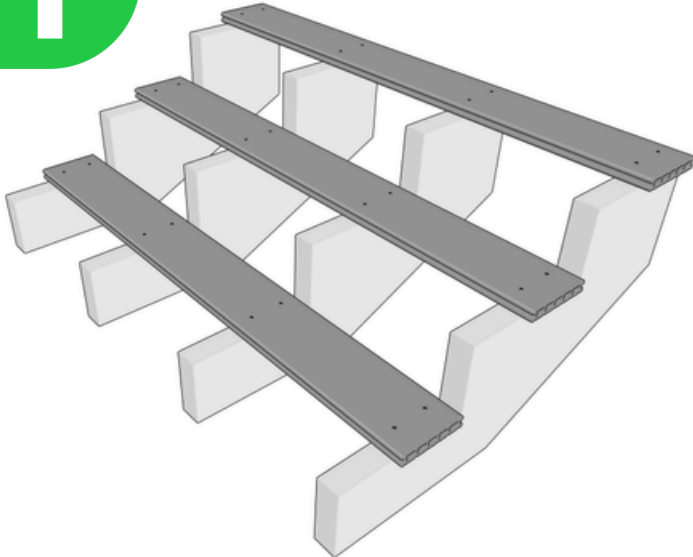


Use screws to fix the angle trims on both sides and spacing should be no more than 500mm.

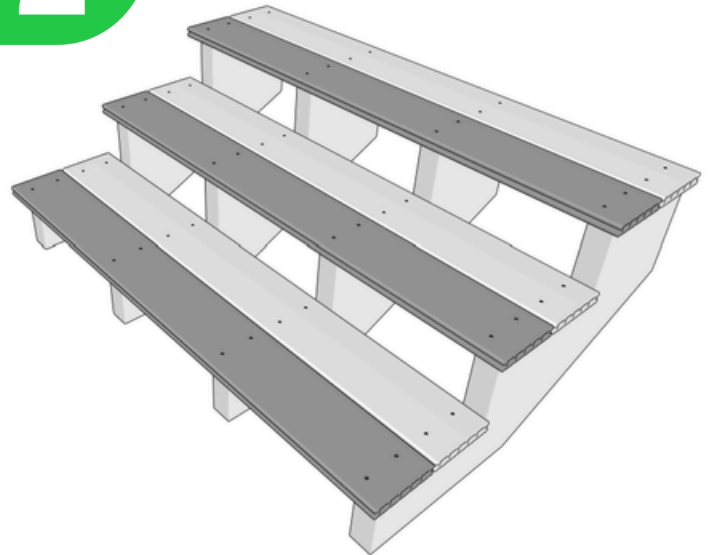


METHOD 1 : STEP INSTALLATION GUIDANCE

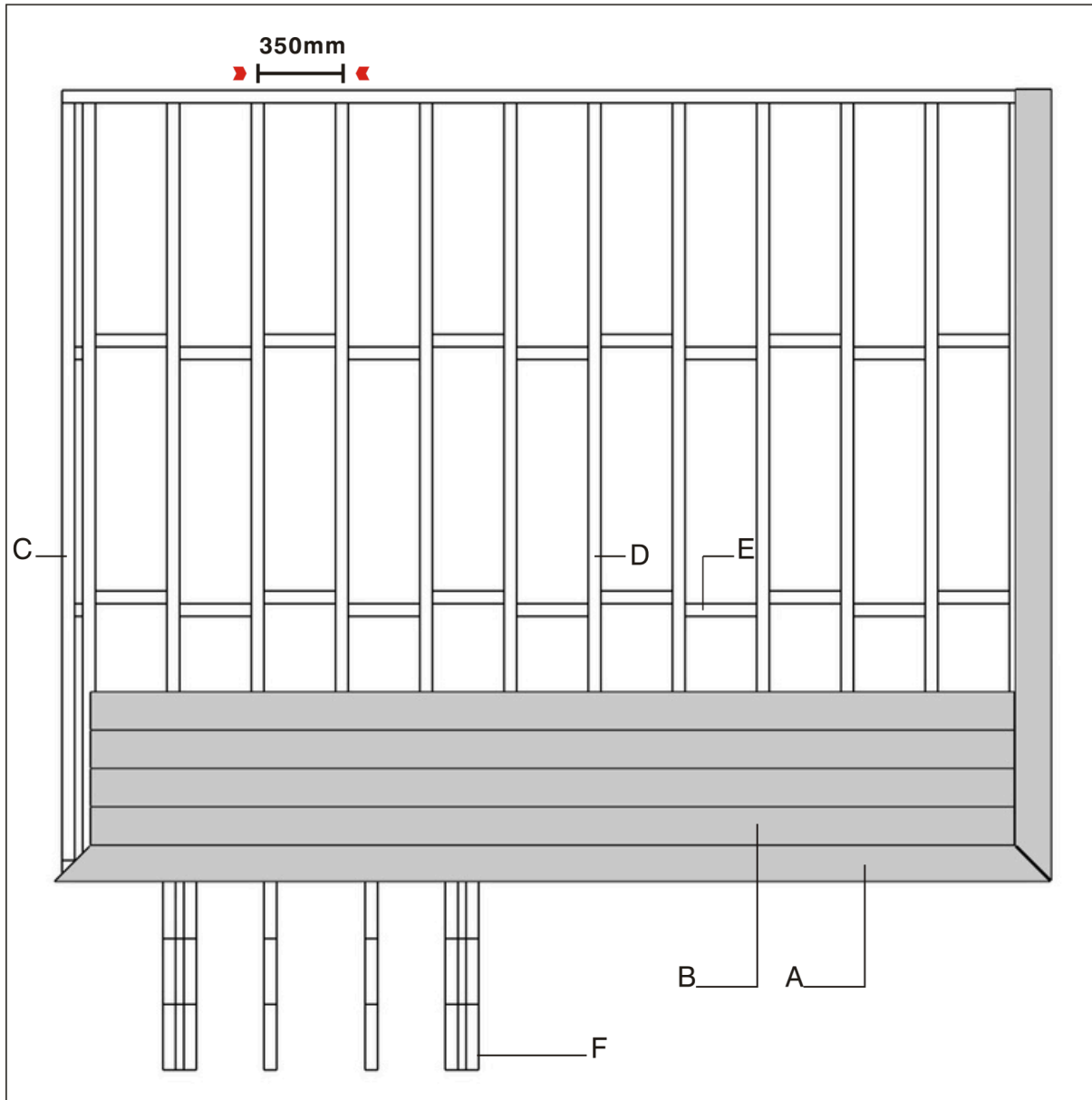
1



2

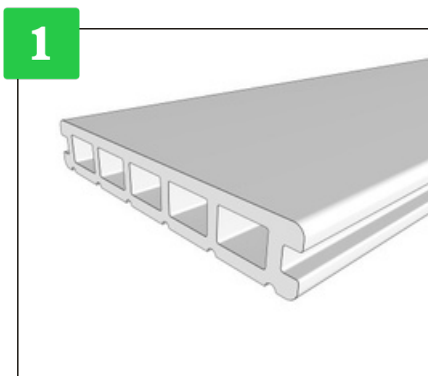


PS: The depth and the height of the stair strings can be varied depending on the project and it's governed by the building code. A common stair measurement is 280mm (11") depth by 180mm (7") high. We recommend to build the stair strings as the picture 1 in order to allow the installation of two boards on the stairs.

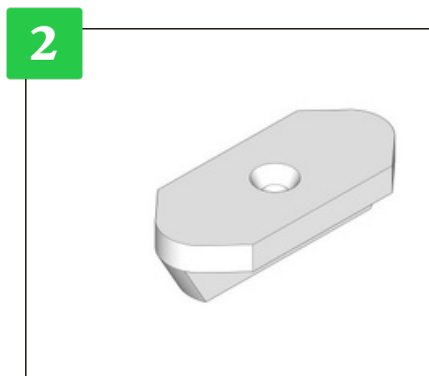


Deck Components Overview

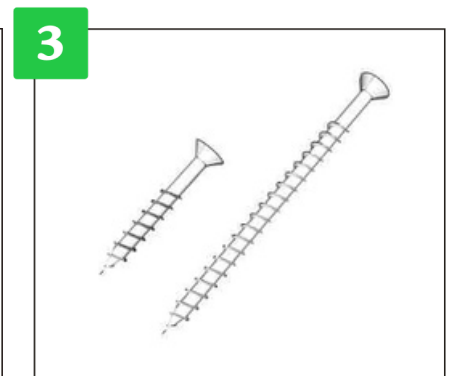
- A. Edging Board
- B. Composite Decking Board
- C. Fascia Board
- D. Joist (Max. span 350mm)
- E. Joist Bracing
- F. Stair String



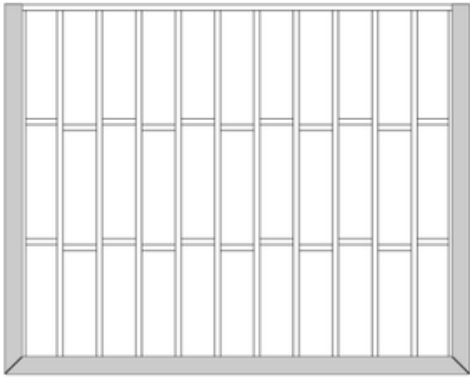
► Composite Decking Board



► Plastic Clip

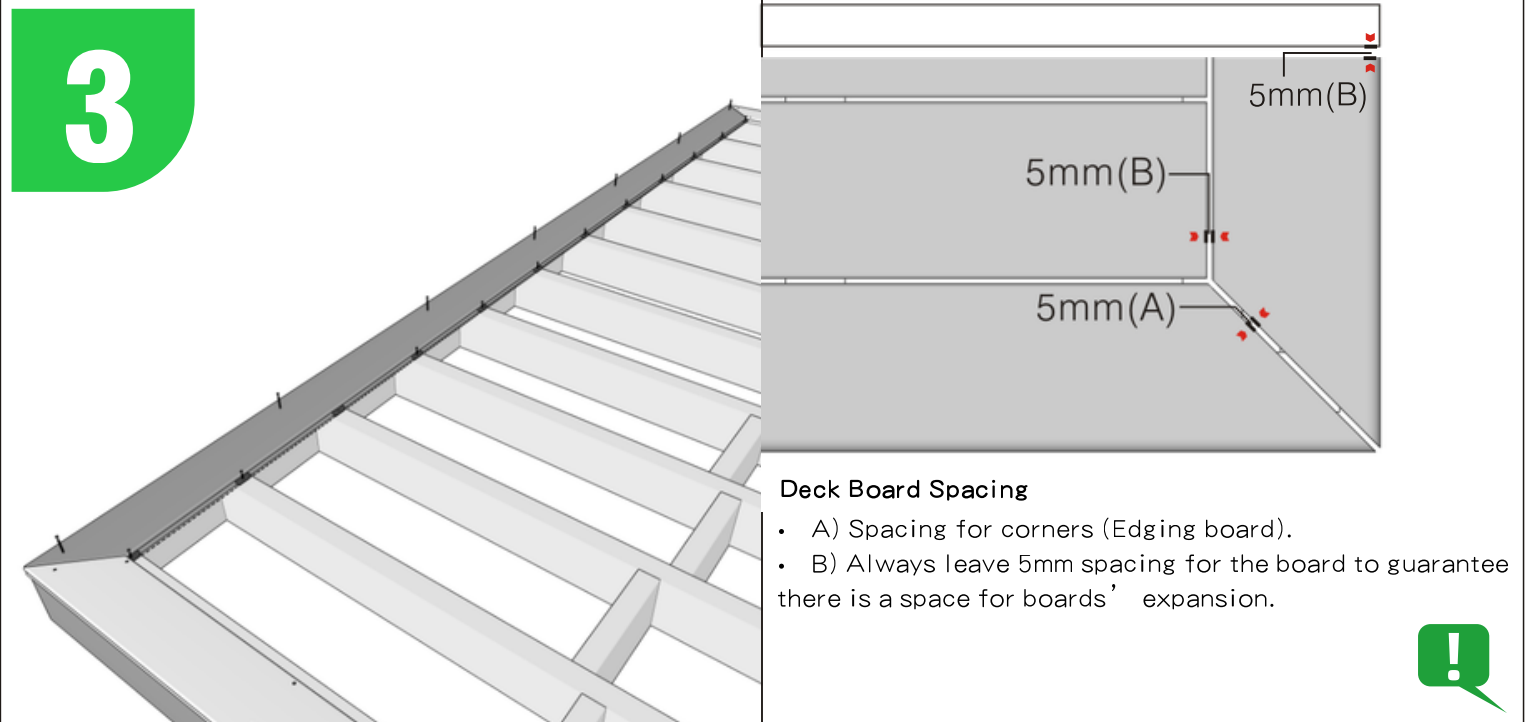
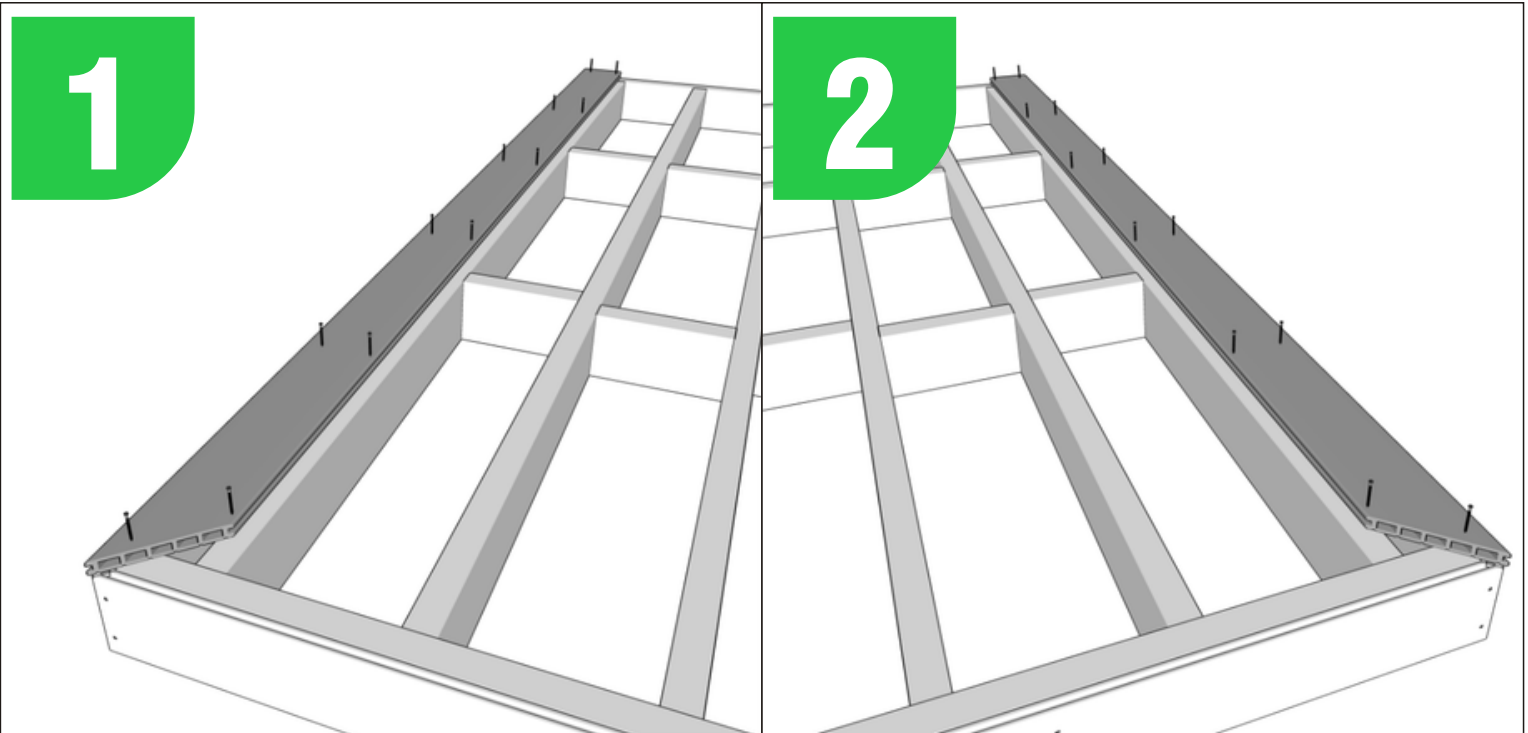


► Screws



Edging Boards Installation

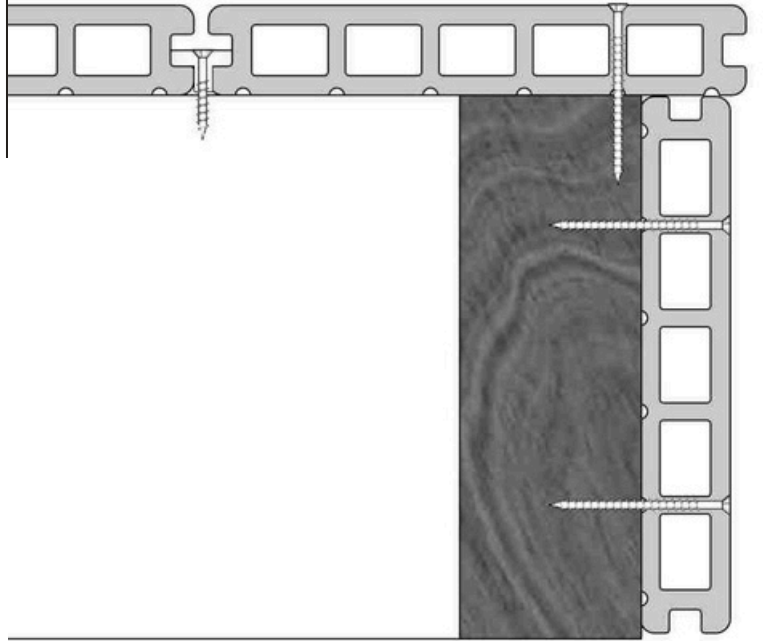
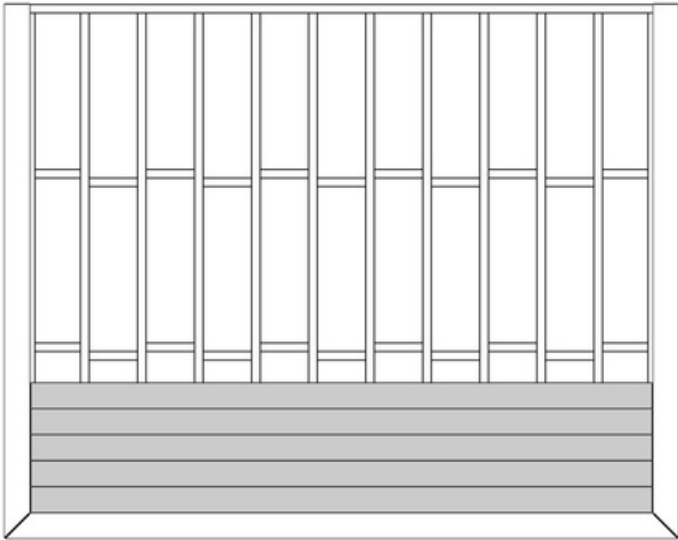
- 1) Fixing the edging boards with screws and the screw spacing should be no more than 500mm.
- 2) Make sure there is a 5mm spacing to each end of the board.



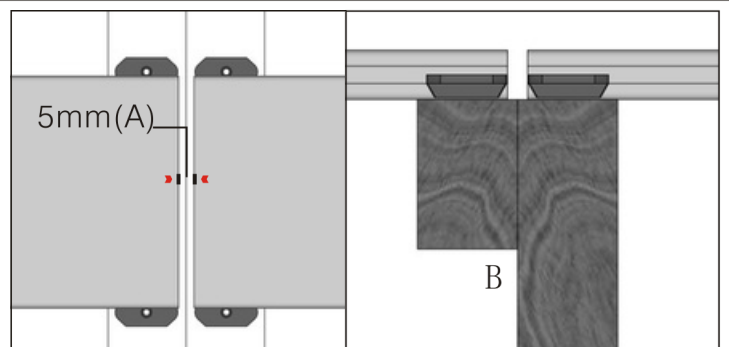
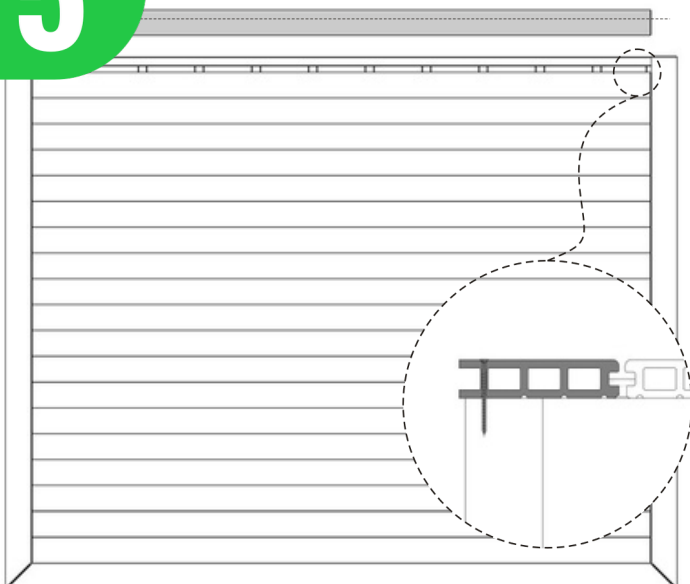
Decking Boards Installation

- 1) Install decking boards in sequence.
- 2) The last board may not fit depending on the space left. In this case, simply adjust the width of the board with a table saw, fixed it with screws(see picture 5) .

4



5



A) Spacing between two boards installed end to end.

B) It's important to double the joist (a smaller one screwed to the main joist) for a end to end installation. This allows a space for clips on each end of the boards.

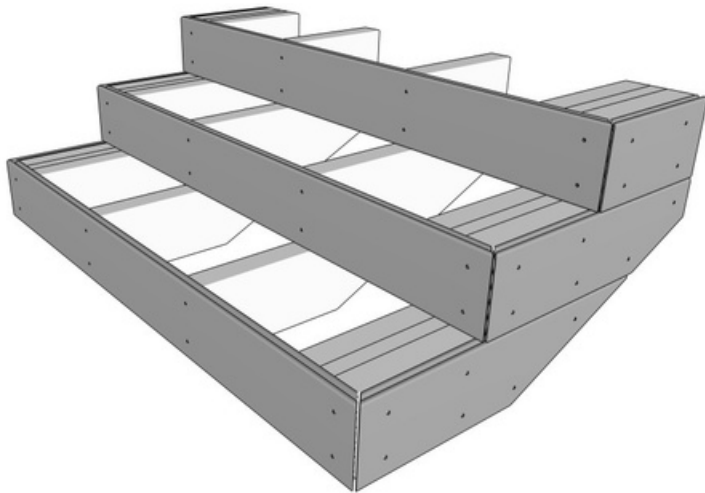


METHOD 2 : DECKING INSTALLATION GUIDANCE

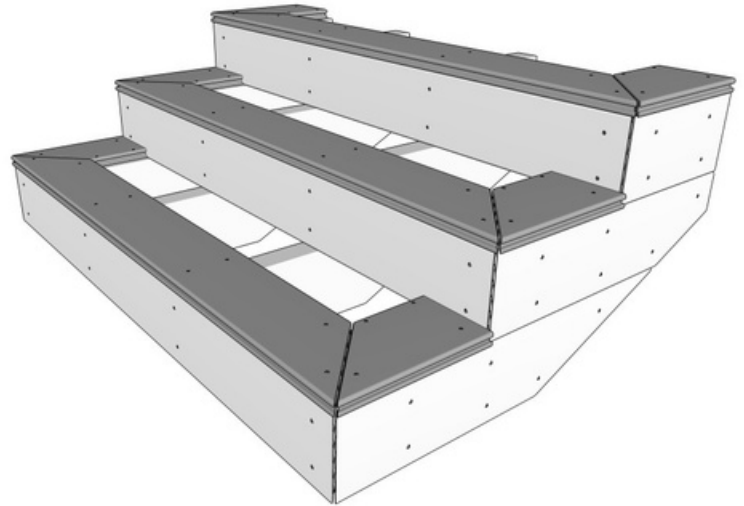
PS: The depth and the height of the stair strings can be varied depending on the project but it's governed by the building code. A common stair measurement 280mm (11") depth by 180mm (7") high. We recommend to build the stair strings as the picture 1 in order to allow the installation of edging board on the three sides of the stairs

- 1) Start with the installation of the fascia boards on the sides of the stairs. Use screws to fix the fascia boards. See Picture 1
- 2) Install the edging boards, See Picture 2.
- 3) Install the back end board. Depending on the depth of the stair, the back end board may be too wide. It need to be adjusted with a table saw. This board is holded in place by the clip already in place on the groove side and the trimmed side is holded further by the fascia board. If no fascia board is going to be installed then use the screw instead. See Picture 3.

1



2



3

