



CHELMERCLAD

COMPOSITE

SLATTED WALL CLADDING

CLADDING INSTALLATION GUIDANCE

• Please read these instructions carefully before installation. We recommend that you understand in detail the relevant laws and regulations in your area before installing your composite cladding. These installation instructions are intended to provide instructions for proper installation only and are not a substitute for legal and professional permission. The installation and use of our products must be in accordance with the relevant laws and regulations of the region in which they are installed. All risks and responsibilities associated with the installation are the responsibility of the user.

TOOLS NEEDED

Standard woodworking tools may be used. Below are tools which might be used for installing composite cladding.

- Circular saw
- Cordless Drill/Screw driver
- Impact Drill
- Spirit level/Tape/Pencil

SAFETY WARNING

When working on any construction project, you should wear protective clothing and safety equipment. Wear face shield, hearing protection, gloves, and long sleeves, particularly when cutting in confined spaces.

COMPOSITE CLADDING AND ACCESSORIES

1



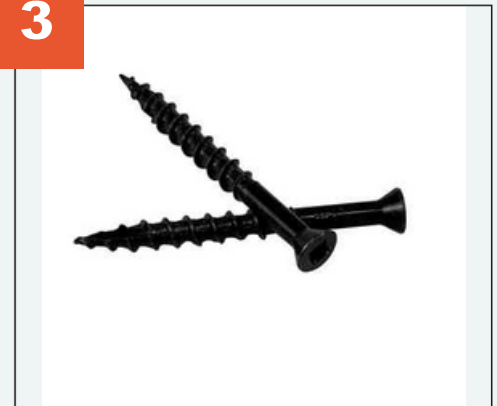
► Composite Cladding Board

2



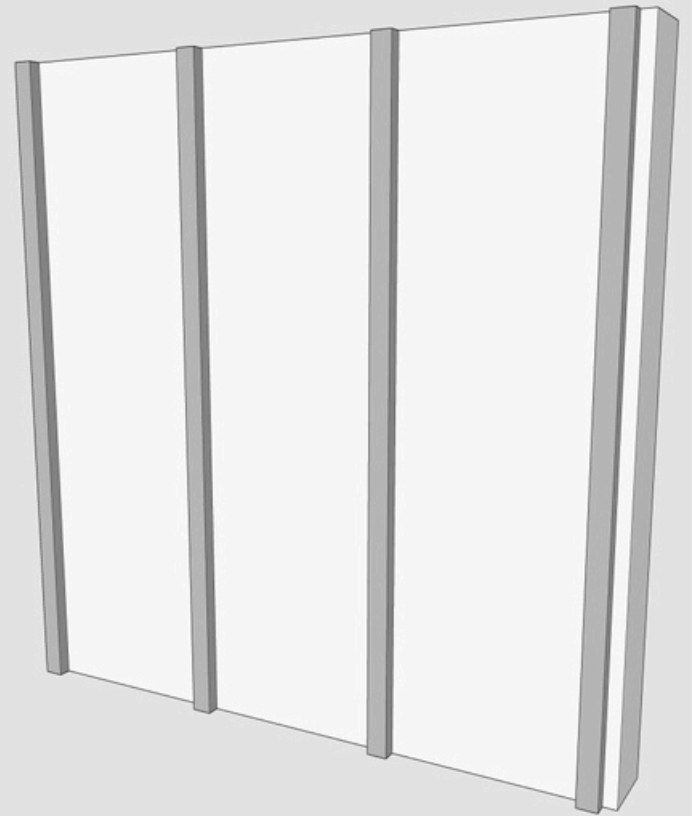
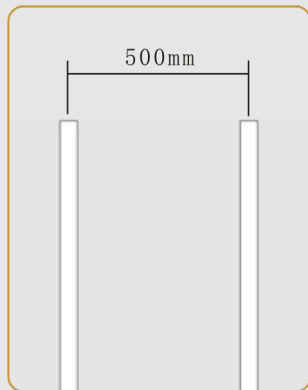
► Angle edge trim

3



► Stainless Steel Screws

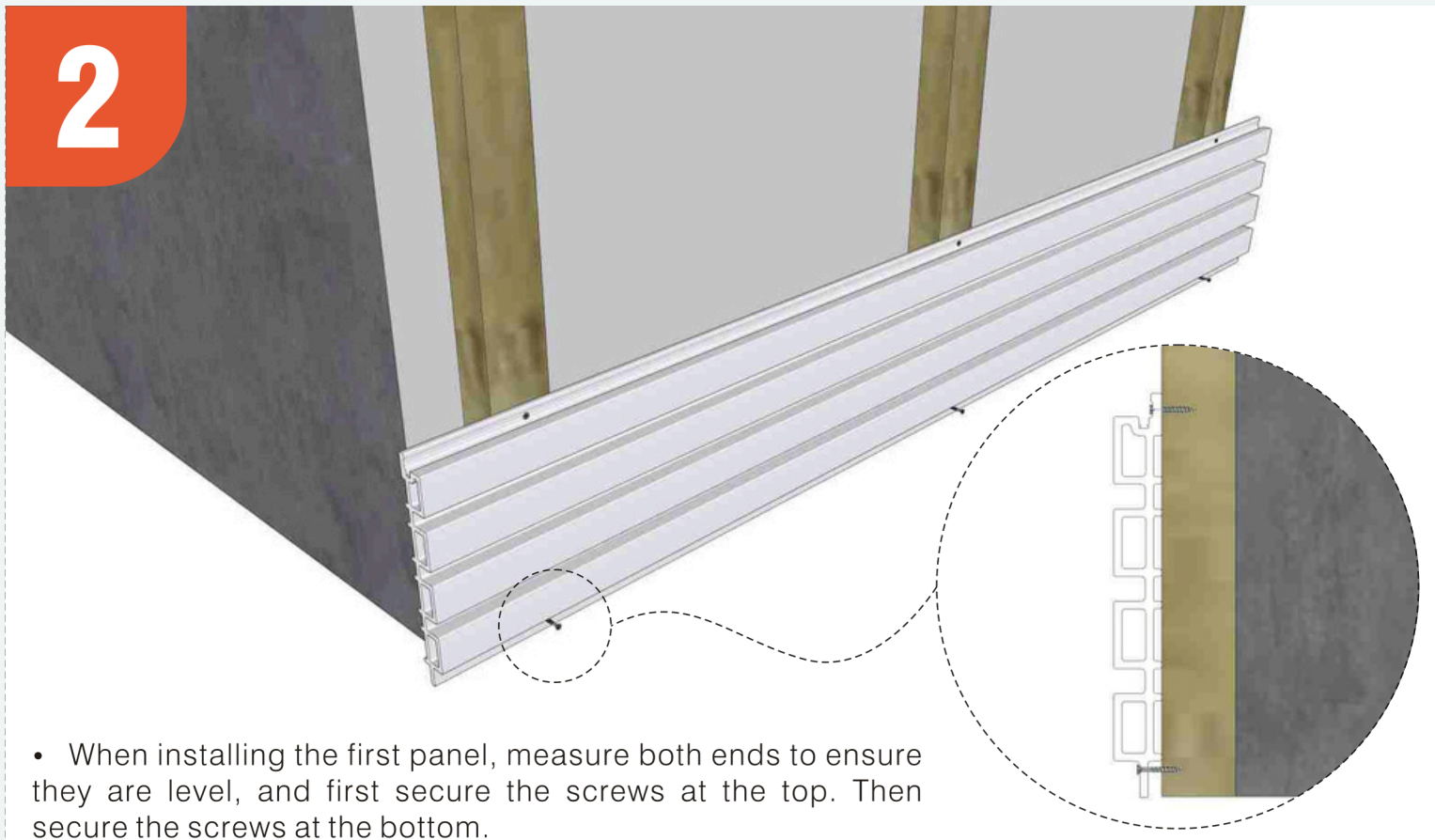
1



- The spacing between the joists should not exceed 500mm to prevent deformation of the wall panels.

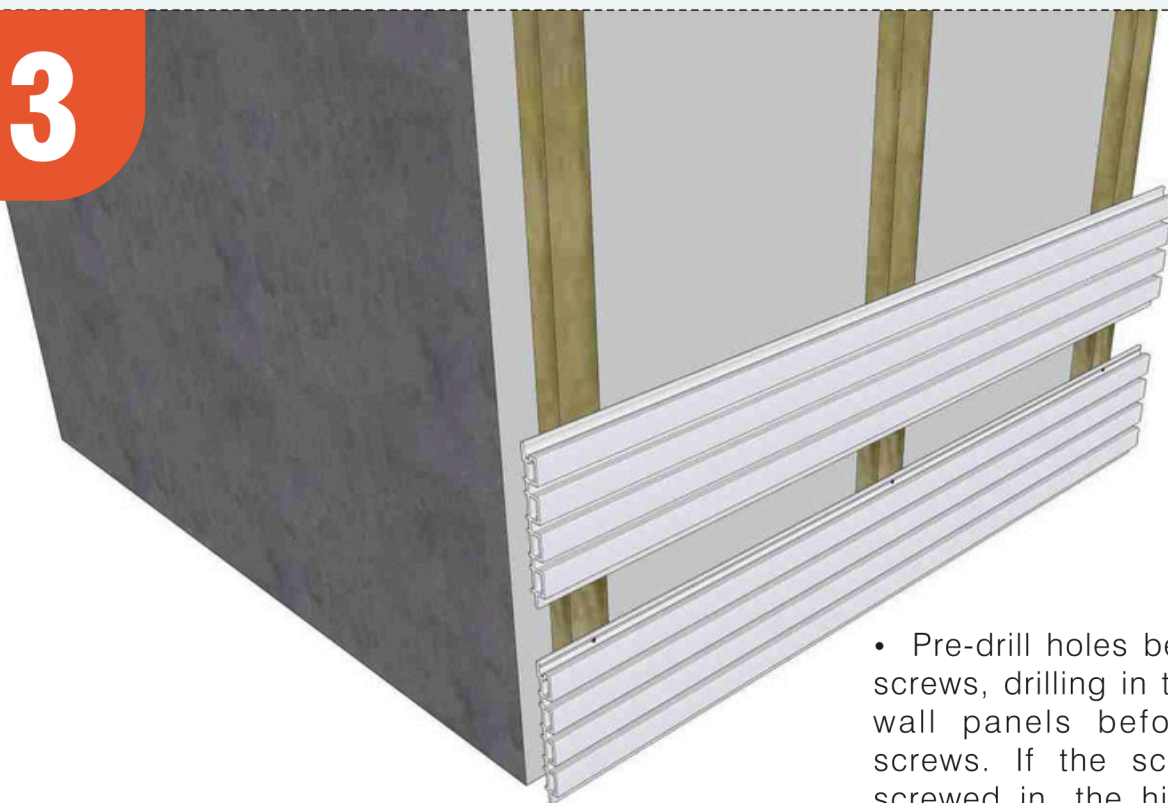
- When installing wooden joist, avoid direct contact with the ground to prevent the wooden joist from absorbing moisture, which can lead to deformation and rotting.

2



- When installing the first panel, measure both ends to ensure they are level, and first secure the screws at the top. Then secure the screws at the bottom.

3



- Pre-drill holes before securing the screws, drilling in the grooves of the wall panels before inserting the screws. If the screws are directly screwed in, the high density of the composite cladding may cause it to expand and crack.

4



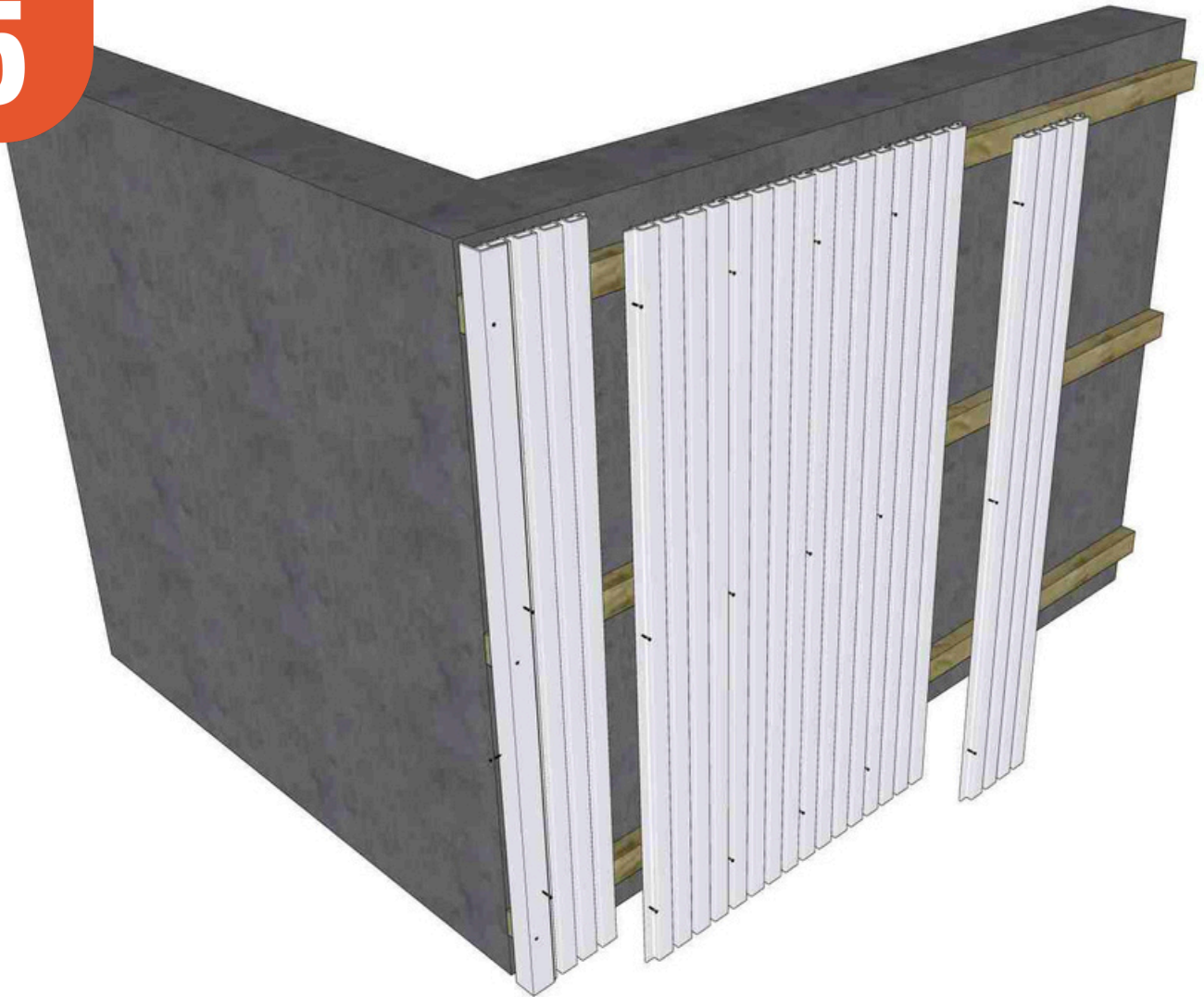
- Install the wall panels from top to bottom in sequence. Cut the last panel to the required width as needed, and secure it with screws.

5



- Use Angle edge trims to decorate both ends of the wall panels, and secure the angle edge trims with screws.

5



- The vertical installation of composite wall panels is the same as the horizontal installation, with a joist spacing no more than 500mm, which can be adjusted as needed according to the actual situation.
- When installing vertically with a ceiling at the top and ground at the bottom, and if installation is done in winter, a gap of 0.3% should be reserved at the top.
- Cut the last panel to the required width according to the measurements and install it, securing it with screws.