



CHELMERPANEL

COMPOSITE

SLATTED FENCE PANELS

PANEL INSTALLATION GUIDANCE

COMPOSITE FENCING INSTALLATION GUIDANCE



Please read these instructions carefully before installation. We recommend that you understand in detail the relevant laws and regulations in your area before installing your composite fencing. These installation instructions are intended to provide instructions for proper installation only and are not a substitute for legal and professional permission. The installation and use of our products must be in accordance with the relevant laws and regulations of the region in which they are installed. All risks and responsibilities associated with the installation are the responsibility of the user.

TOOLS NEEDED

Standard tools may be used.

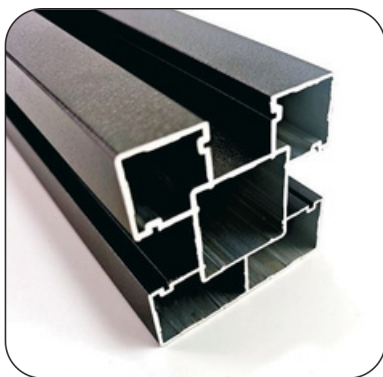
Below are tools which might be used for installing composite fencing:

- Metal saw
- Cordless Drill/Screw driver
- Impact Drill
- Spirit level/Tape/Pencil

SAFETY WARNING

When working on any construction project, you should wear protective clothing and safety equipment. Wear face shield, hearing protection, gloves and long sleeves, particularly when cutting in confined spaces.

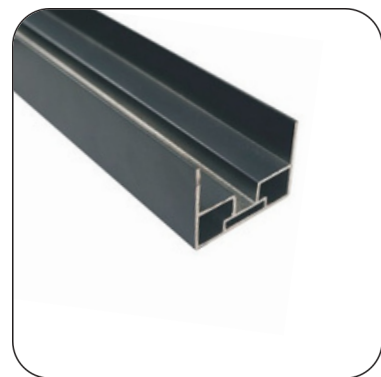
COMPOSITE FENCING AND ACCESSORIES



△ Aluminium Post



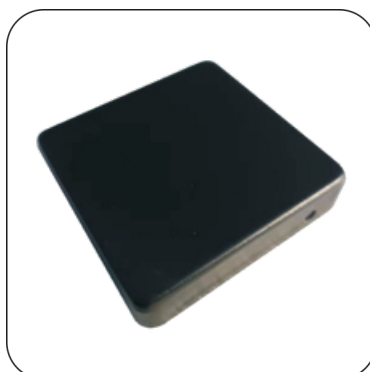
△ Aluminium Post Cover



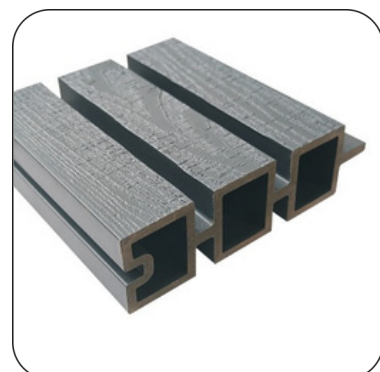
△ Beams&Frames



△ Angle Bracket

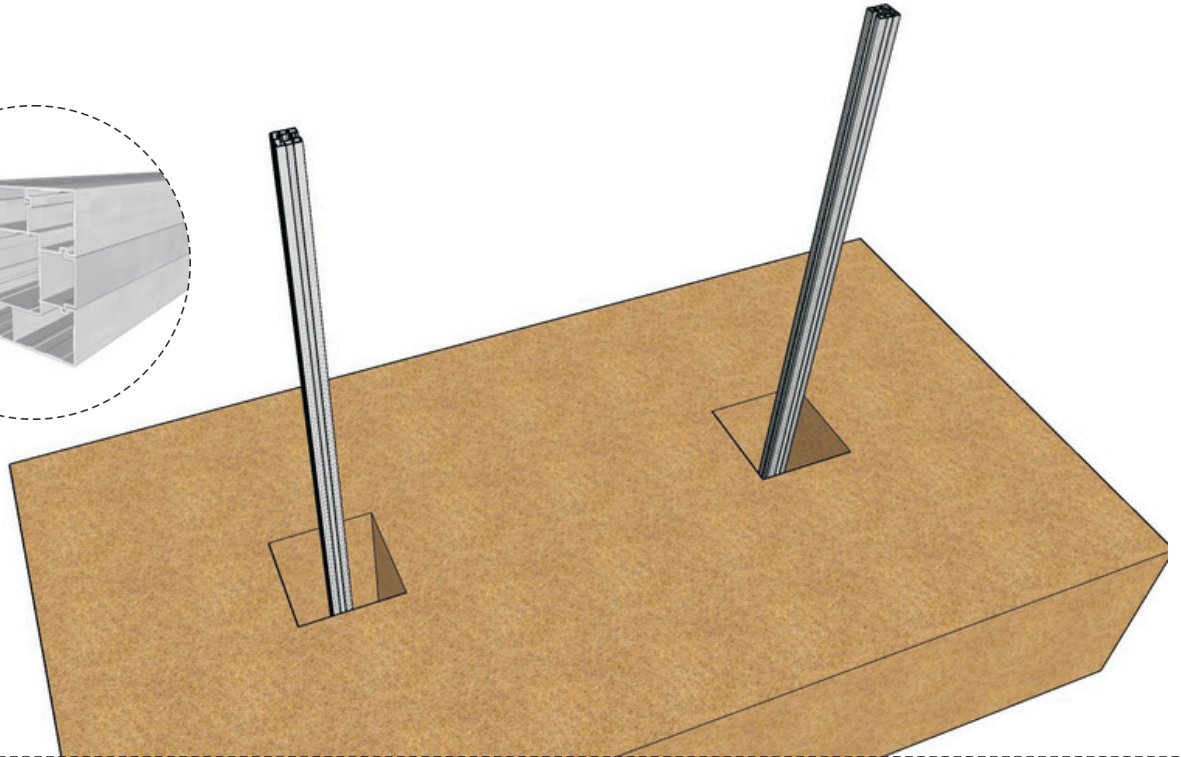


△ Aluminium Post Cap



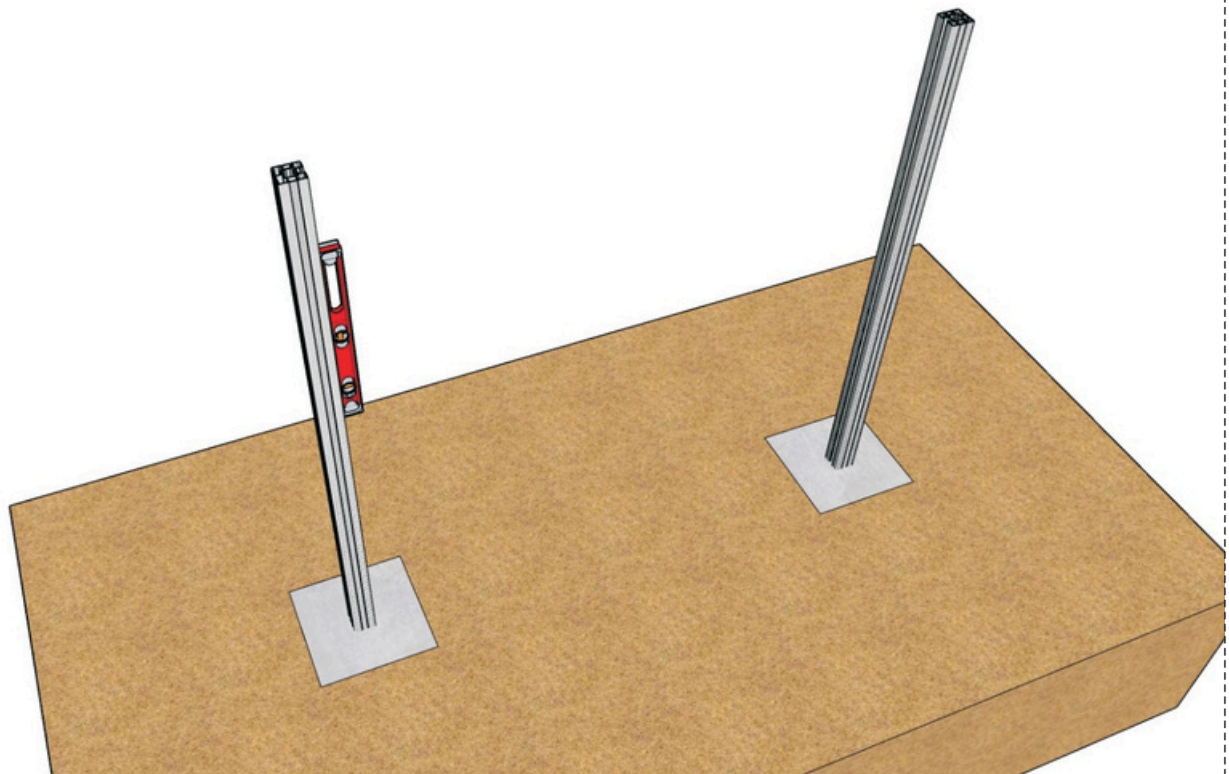
△ Composite Fencing Board

1



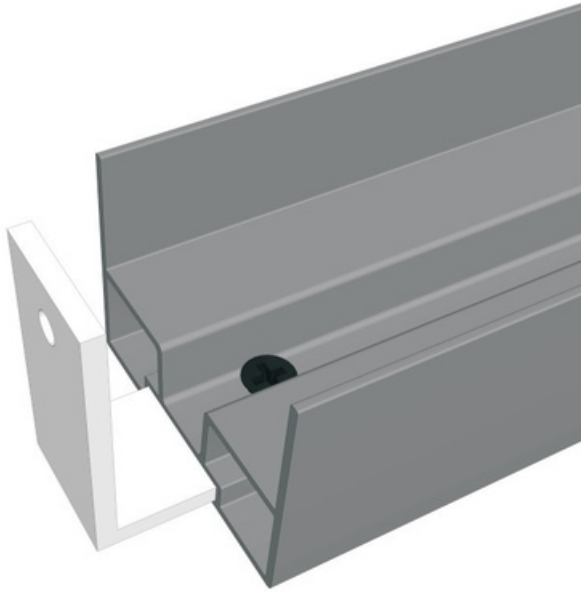
Dig two holes in the ground according to the required spacing. Insert the post cover as needed before placing the post, then place the post into the hole, ensuring that the correct height of the post extends above the ground.

2

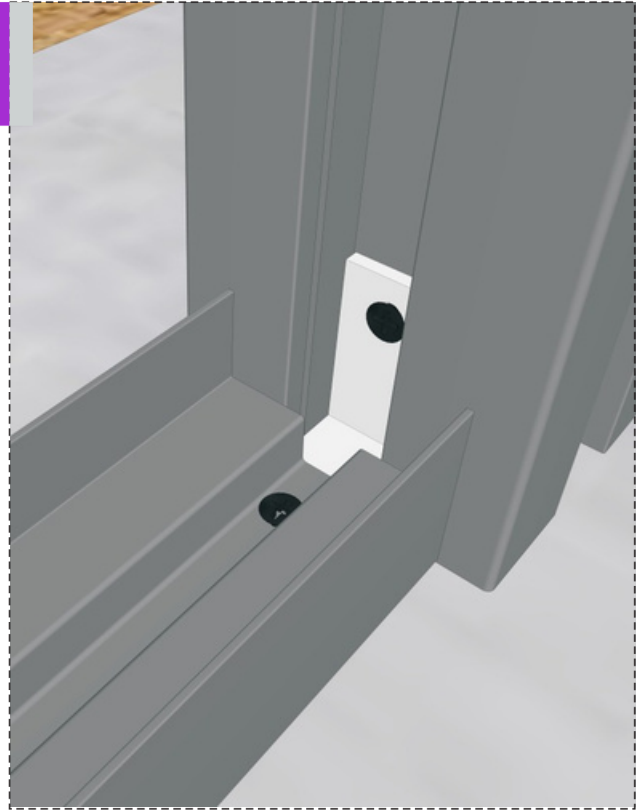


Pour concrete around the post and use a level to adjust the post to make sure it is vertical, ensuring that the spacing between the top and bottom of the posts is consistent. After the concrete is fully cured, proceed with the installation of the Chelmer Fence Panels.

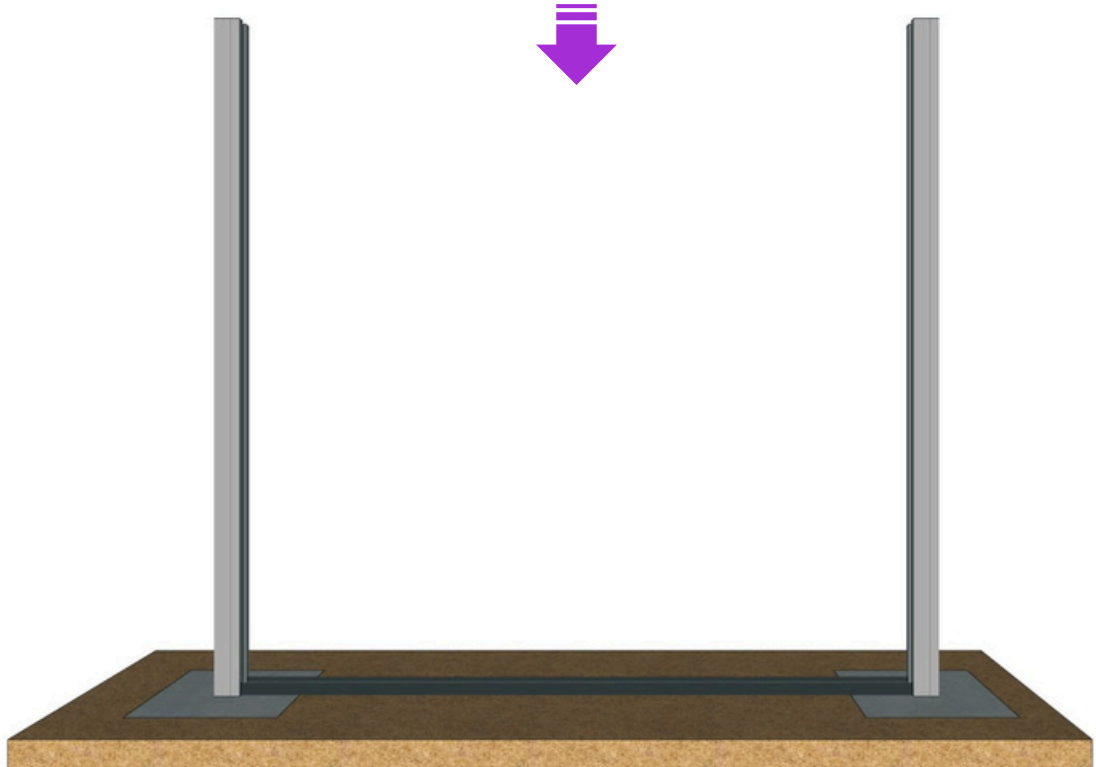
2



4

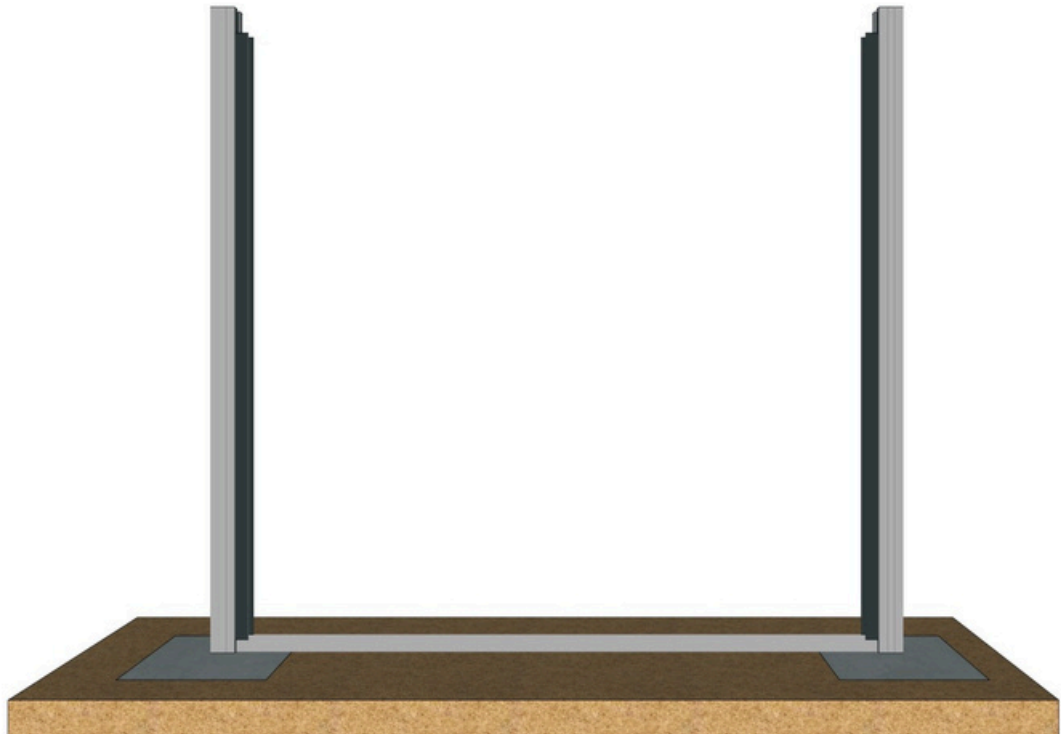


3

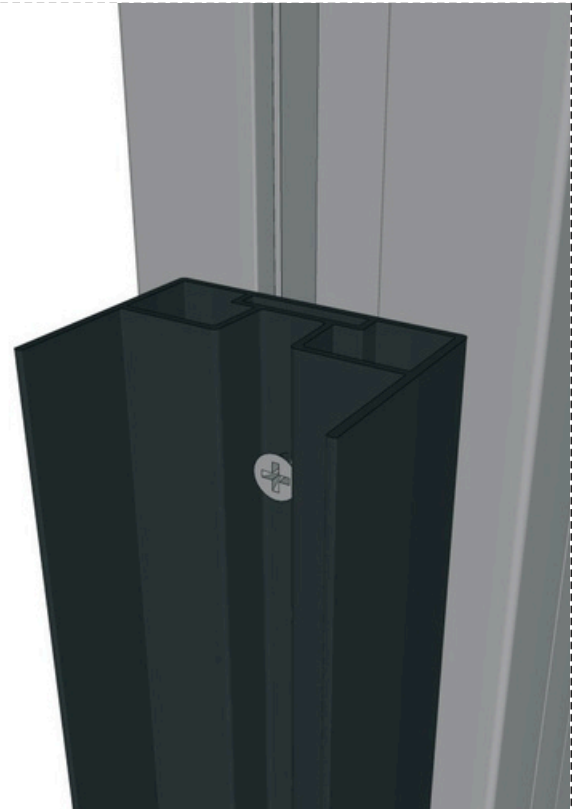
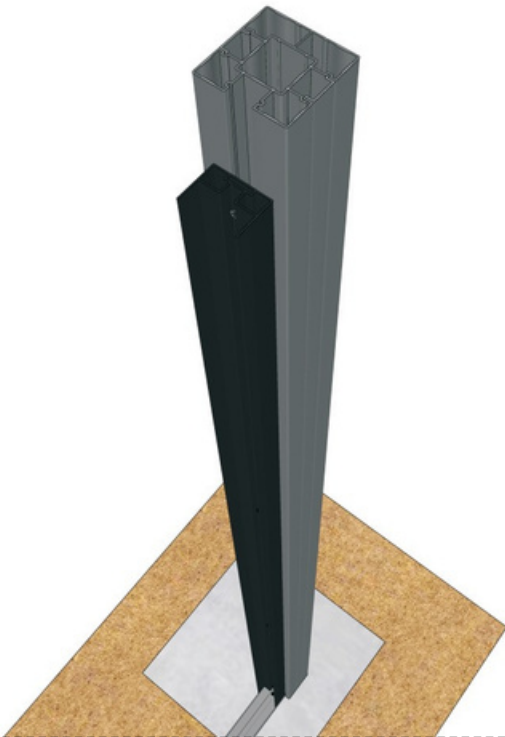


Insert the L bracket into the bottom beam and secure it at the appropriate height on the post using screws, as shown in the image above.

5

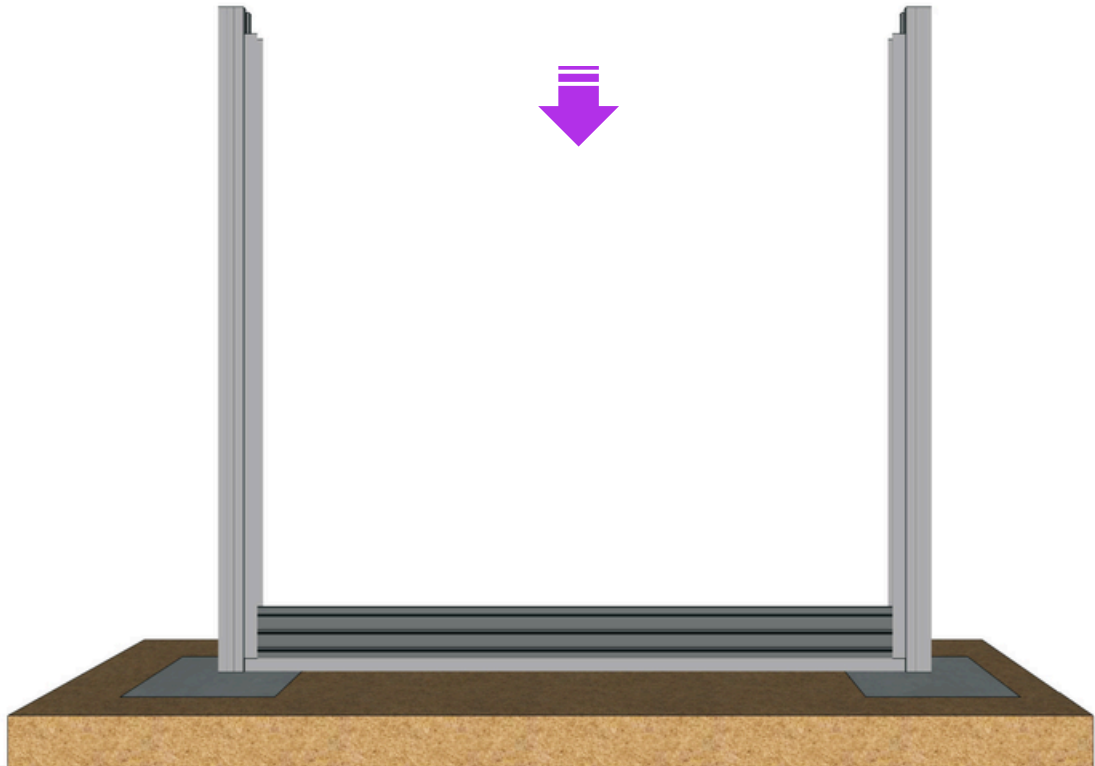


6

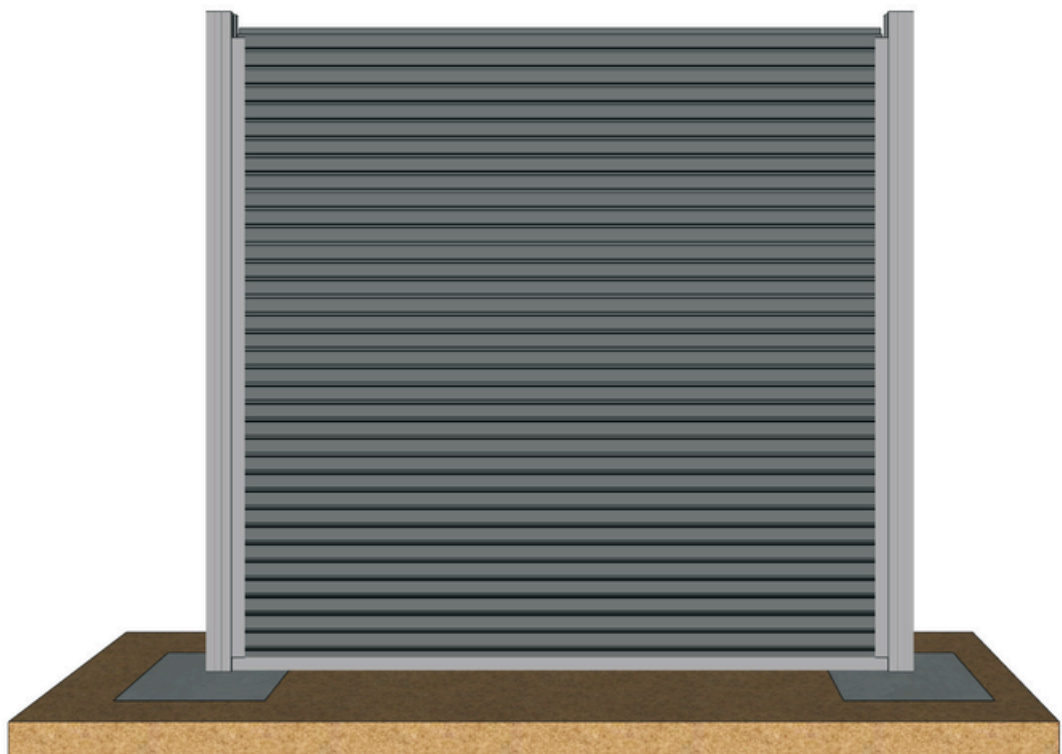


Before installing the fence panels, you need to attach the frames to the posts. Cut them to the required length and secure them with screws.

7

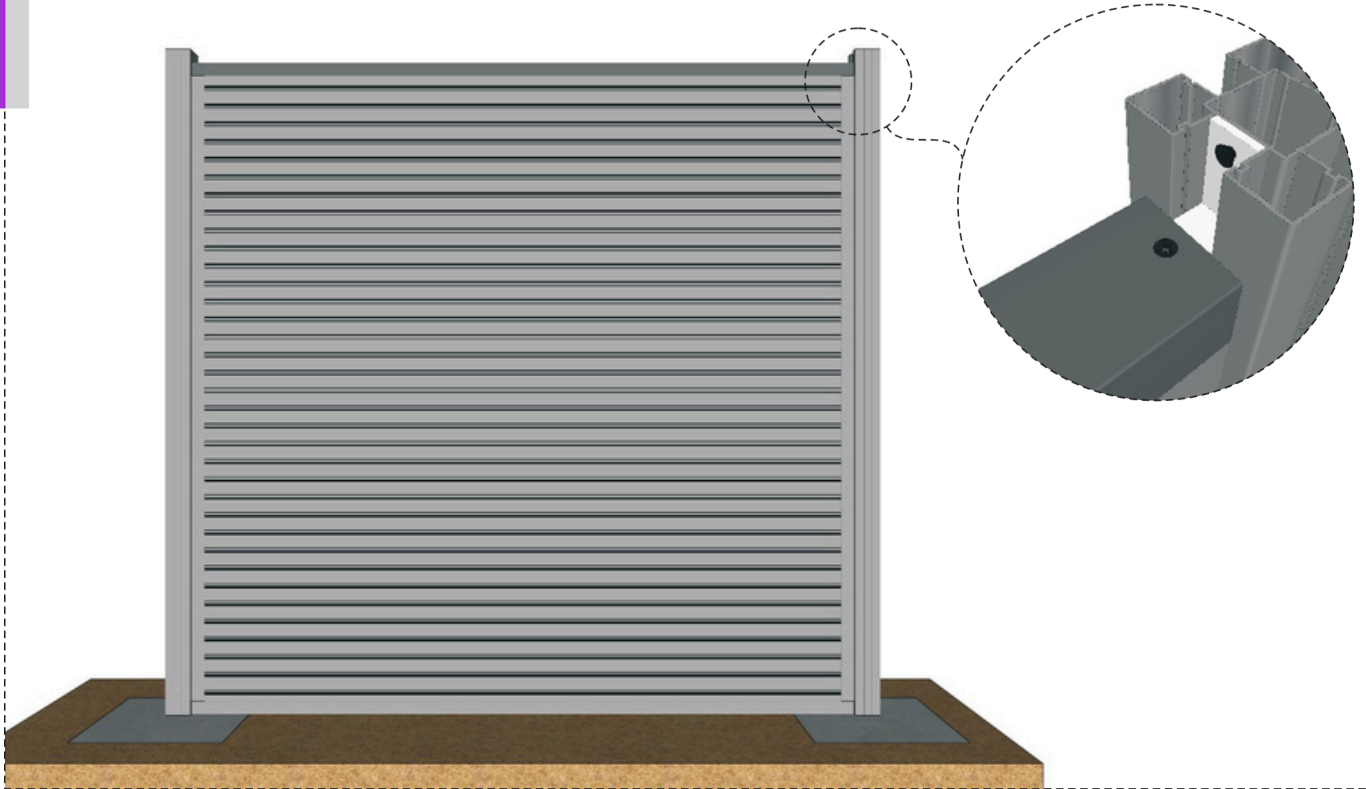


8



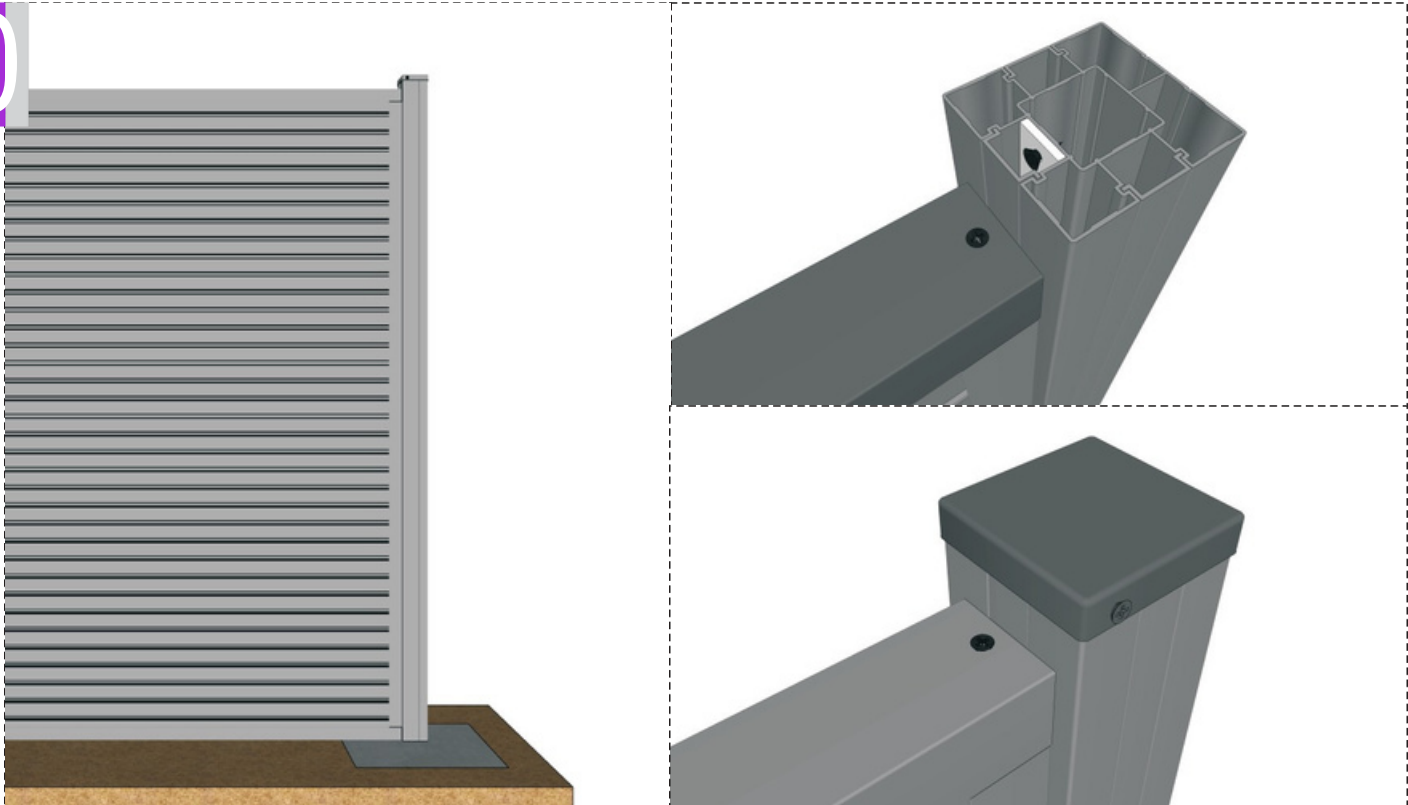
Once the frames are installed, slide the fence panels from top to bottom until reaching the desired height.

9



Insert the L bracket into the top beam and secure it with screws, as shown in the image above.

10



Before securing the cap, cut a suitable piece of post cover and slot it into the post to hide the L bracket, then secure the cap to finish.